

DS-2TP21B-6AVF/W

Body Temperature Measurement Camera



The handheld thermal camera, specially designed for body temperature measurement. It's equipped with a 160×120 resolution thermal detector. It is capable to discover and track people with higher body temperature among the crowded public area, it can be widely used in places such as customs, airport, school and hospital for inspection and quarantine.

Key Feature

- 160 × 120 resolution (thermal), and 8 MP resolution (optical)
- Thermographic accuracy up to ± 0.5 °C
- Display fusion of thermal view and optical view.
- 640 × 480 resolution 3.5" LCD touch display
- Support live view on PC, mobile device or external monitor
- Support audio intercom
- Support color highlight alarm and audio alarm



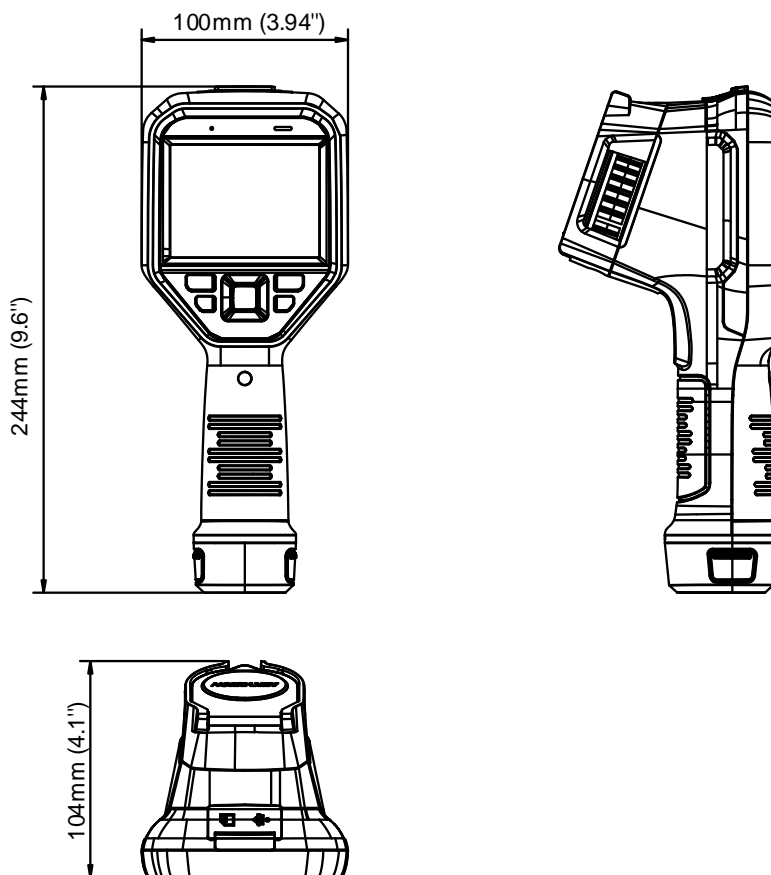
Specification

		Model	DS-2TP21B-6AVF/W
Parameter			Thermographic Handheld Camera
Thermal Module	Image sensor		Uncooled Focal Plane Arrays
	Resolution		25Hz: 160 × 120
	Pixel Pitch		17μm
	Response waveband		8μm to 14μm
	NETD		< 40 mk (@ 25 °C,F#=1.0)
	Field of View		25° × 18.7°
	Focal length		6.2 mm (Manual focus)
	IFOV		2.74 mrad
Optical Module	Aperture		F 1.1
	Picture Resolution		Configurable: 2 MP, 5 MP, 8 MP
	Video Resolution		640 × 480
	Monitor		640 × 480 resolution 3.5" LCD touch display
Image Display	Palettes		Black hot, White hot, Red hot, Rainbow, Ironbow, Fusion, Rain
	Digital Zoom		Thermal: 1×, 2×, 4×
	Thermal / Optical		Thermal/Optical/Fusion image/Picture in picture
	Picture in Picture		Support Thermal View in Optical View
	Fusion		Support (Thermal View and Optical View Combined)
	Record Video		Support on-board video recording
Thermography	Rules		Max. Temperature; Min. Temperature; Center Temperature; Custom Point/Line/Area Thermography
	Range		30°C to 45 °C
	Accuracy		±0.5° C
Battery	Battery Type		Dismountable and rechargeable Li-ion Battery
	Battery Operating Time		5 hours in normal temperature, with Wi-Fi, Bluetooth, and supplement light off.
			4 hours in normal temperature, with Wi-Fi, Bluetooth, and supplement light on.
	Storage		Built-in memory module (16 G)
	Photo		Thermal/Optical/Fusion image
	Video		Thermal/Optical/Fusion image
	Wi-Fi		Support
	Text Comment		Support
Voice Comment		Support	
General	Language		English
	Power		5 VDC/2 A
	Power Consumption		Max. 4.5 W
	Hardware Interface		Type-C Interface
	Working Temperature		15°C to 35 °C
	Protection level		IP54
Drop Test Height		2 m (6.56 feet)	

Dimension	244 mm × 100 mm × 104 mm (9.6 " × 3.9 " × 4.1 ")
Weight	With Battery: 653 g (1.44 lb) Without Battery: 511 g (1.13 lb)

Available Model

DS-2TP21B-6AVF/W

Dimension



Premier House, 102a Station Road, Sidcup, Kent DA15 7DE

Phone: 020 8300 9495

Email: info@premierchoicegroup.com

Web: www.premierchoicegroup.com

Premier Choice Group is a trading name of Premier Choice Telecom Limited. Company number 04041312